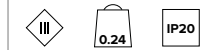
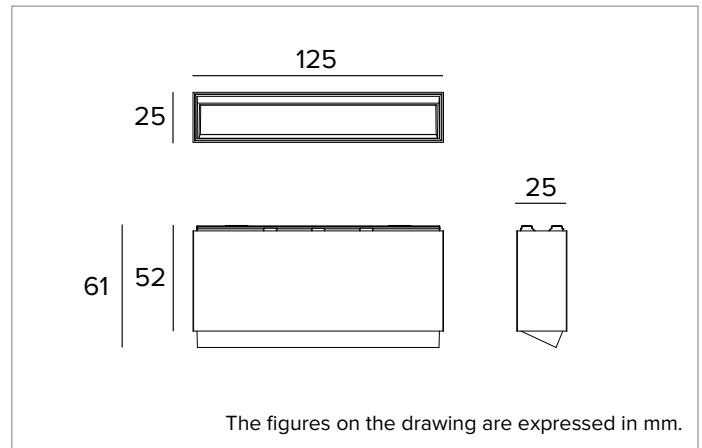


## 2T0122 | OZ Lighting module - Wall Washer

### Wall Washer magnetic LED light modules, powered at low voltage



|               |                             | 4000K            | H(m)  | D1(m) | D2(m) | E <sub>max</sub> (lx) |
|---------------|-----------------------------|------------------|-------|-------|-------|-----------------------|
|               |                             | Ra90             | 35°   | 77°   |       |                       |
| Fixture Power | 8W                          | 1                | 0.67  | 1.65  | 397   |                       |
| Source Flux   | 704lm                       | 2                | 1.34  | 3.30  | 99    |                       |
| Fixture Flux  | 453lm                       | 3                | 2.00  | 4.95  | 44    |                       |
| Efficacy      | 55lm/W                      | 4                | 2.67  | 6.60  | 25    |                       |
| TS1842        | I <sub>max</sub> =610cd/klm | I <sub>max</sub> | 430cd | 5     | 3.34  | 8.24 16               |



#### SOURCE

Hugh efficiency Ra90 LED Emitter.

**Energy efficiency class:** F

**Nominal power:** 7,3W

**Nominal flux:** 704lm

**Colour rendering index:** 90

**Rf:** 90.9

**Rg:** 101.1

**CCT nominal:** 4000K

**Lifetime (L80/B10):** >50000h tq +25°C

#### ILLUMINOTECHNICAL CHARACTERISTICS

Wall Washer optical system: a high reflectance anodised aluminium reflector, holographic diffuser filter, frame in black polycarbonate.

**Optic:** WALL WASHER

**Optical efficiency:** 64%

**Fixture flux:** 453lm

**Luminous efficacy:** 55lm/W

**Photobiological safety:** Compliant with RG1 low risk group

#### MECHANICAL CHARACTERISTICS

Black painted die-cast aluminium body. Sizes 125x25mm.

**Colour and finish:** Deep black

**Dimensions:** 25x125mm

**Weight:** 0.24Kg

**Version:** STANDARD

**Degree of protection:** IP20

#### ELECTRICAL CHARACTERISTICS

**Fixture Power:** 8W

**Power supply:** 48Vdc

**Insulation Class:** CLASS 3

**Class F:** YES

**Ambient temperature:** 0°C / +25°C

#### INSTALLATION

Extremely rapid, versatile and simple mechanical and electrical coupling system using magnets which support the fixture on the Power Track and feed power inside the fixture on all versions.

#### NOTES

110-277Vac version available on request.

#### WARRANTY

5 years.

Due to the technological evolution of the electronic components, the data provided may be updated, and as such, confirmation must be requested during the order process.

Luminous flux and power supply have +/-10% tolerances with respect to the indicated value. tq +25°C (CIE 121).

We reserve the right to make technical changes.

Targetti Sankey S.r.l.  
Via Pratese, 164  
50145 Firenze - Italy  
Tel: +39 055 37911  
targetti.com  
targetti@targetti.com

CCIAA Firenze  
Share Capital:  
€ 500.000,00  
VAT N. (IT):  
01537660480  
R.E.A: FI-275656

**TARGETTI**